

1

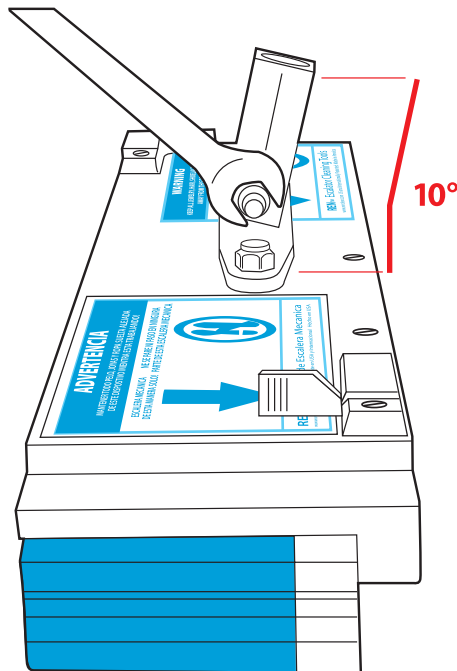
IMPORTANT!

Block all the escalator passengers before cleaning.



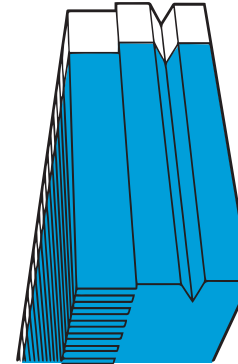
2

ADJUST and TIGHTEN threaded handle bracket – 10° degrees.

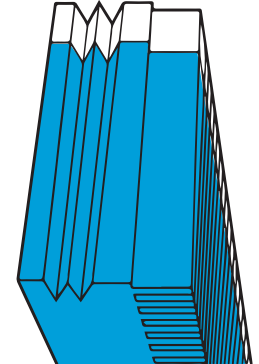


3

Select the correct REN Pad pattern, to fit the escalator tread groove pattern.



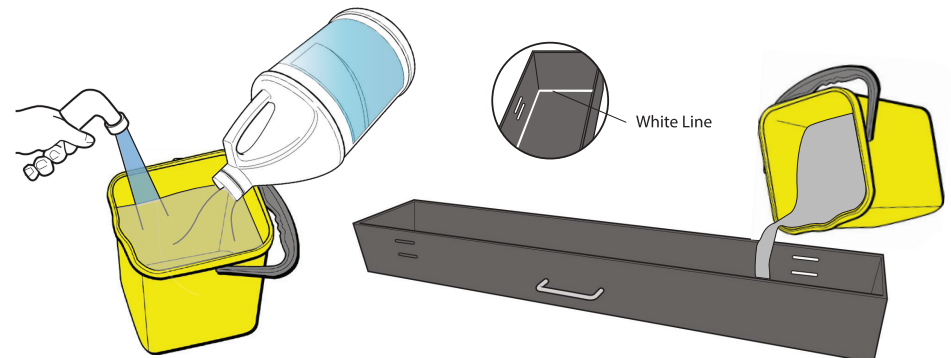
V - Spec Pad fits escalators with 34 ridges per every 12 in./30.5 cm across the tread.



W - Spec Pad fits escalators with 36 ridges per every 12 in./30.5 cm across the tread.

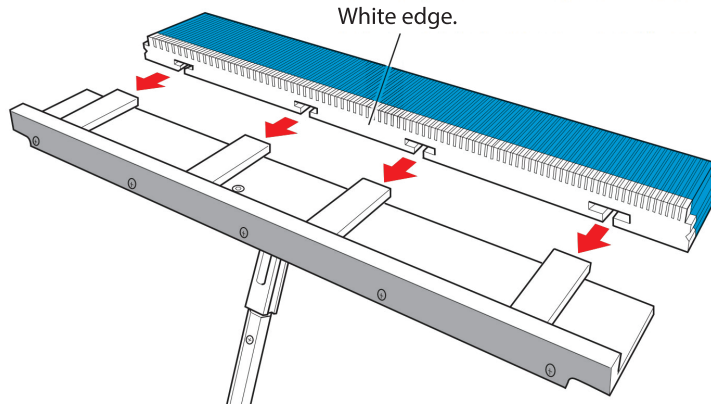
4

DILUTE Tread Safe 10:1 ratio, 1 part Tread Safe, 10 parts water and Pour **DILUTED** Tread Clean into saturation tub. Fill to the top of white line - approx. 1/4". DO NOT OVERFILL.



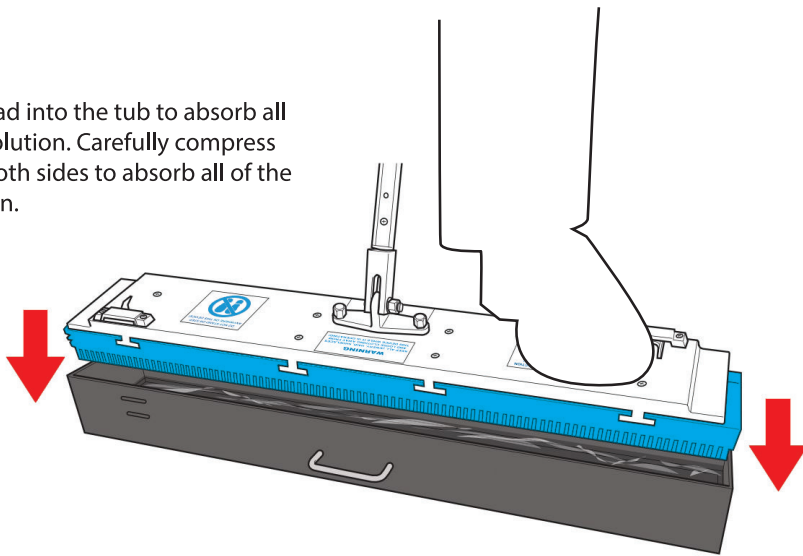
5

Mount the cleaning pad with the white edge to the back of the device.



6

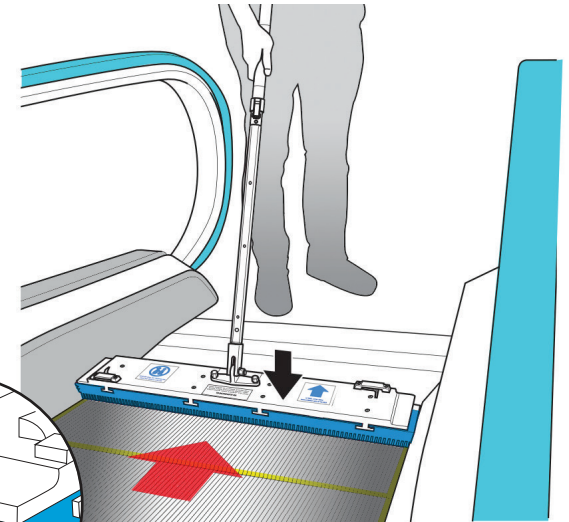
Place the REN Pad into the tub to absorb all of the diluted solution. Carefully compress the device on both sides to absorb all of the cleaning solution.



7

Make sure the treads are moving towards you, not away. Place the REN Pad onto the escalator into the grooves. KEEP THE PAD FLAT, do not tilt forward or backwards. Apply slight pressure downward and allow 3 to 5 minutes per cleaning cycle. Repeat process as necessary, until the escalator is clean.

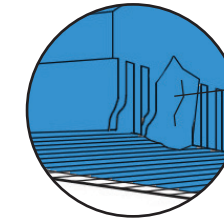
Against combs.



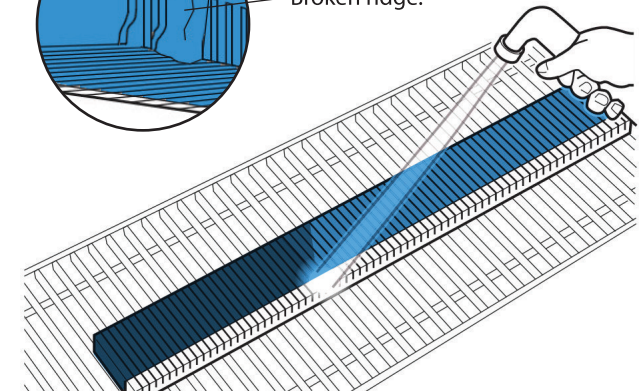
Pad in grooves. KEEP PAD FLAT.

8

Wash the dirty REN Pads with a medium stream of water, allow to drip dry. PADS ARE REUSABLE. Dispose of the pads when they become damaged or will not rinse clean.



Broken ridge.



REN Clean

Escalator Cleaning Tools

www.renclean.com 916-739-2000